



## HEATIT 7S NFC WHITE RAL 9003

Thermostat 3600W 16A

**Art.no** 5430585

**GTIN** 7071236016878

Heatit 7S NFC is an electronic thermostat for electrical underfloor heating. The thermostat has three modes; Comfort, Eco and weekly program.

The thermostat fits in standard European wall boxes and can be used with most frames that are adapted to System 55. The thermostat has a built-in sensor and may be connected to two external sensors.

Heatit NFC Thermostat has a built-in NFC chip to control the thermostat via NFC app on your phone. All parameters can be configured from the app, and you can also set up weekly schedules via the app.

Designed for electrical heating.

### PRODUCT FEATURES

- NFC thermostat
- 7-segment LED display
- Floor sensor
- Internal room sensor
- External sensor (wired)
- Adaptive regulation
- 3 modes: Comfort, Economy and Automatic
- Weekly schedule
- Single pole switch
- Lock / child safety
- Temperature calibration
- Requires a smartphone with iOS 14, Android 6.0 or later + NFC support

### THERMOSTAT DATA

Compatible NTC-sensors (kΩ @ 25°C)	6,8, 10, 12, 15, 22, 33, 47
Error margin temperature	0,5°C
Temperature sensitivity	Temperature sensitivity ±0,5
Hysteresis	±0,5
Ohm value at 25°C	10kΩ
Regulation temperature	5 til 40°C

### IOT / SMART HOME SPECIFIC DATA

Alternate IoT-communication procols	No alternative communication protocols
Push buttons	3
Primary IoT Protocol	Near Field Communication (NFC)

### ELECTRO TECHNICAL DATA

Voltage	230VAC 50Hz
Max load (resistive load)	3600W
Max current	16A
Own power usage	0.5W
Connection type	Screw clamps
Connection terminals diameter	0.2 til 2.5mm <sup>2</sup>
Max tightening torque connections	2N·m



## MAINTENANCE

The device is maintenance-free. Indoor use only.

## ADDITIONAL INFORMATION

Approved for use in bathrooms.

## PRODUCT INFO RETURN AND RECYCLING

The product must be recycled as electronic waste.

## LOGISTICS AND PRODUCT DATA

Colour	White RAL 9003	Customs number	90321000
Min. and max ambient humidity (RH%)	10 til 85%	Ambient temperature range in use	5 til 40°C

## STANDARDS

Certification	CE	IP-Class	IP21
---------------	----	----------	------

## LOGISTICAL DATA (F-PACK)

Width	110mm	Height/diameter	77mm
Length	120mm	Weight	156g
GTIN	7071236016878	Unit	EA
Consists of unit	EA	Quantity	1

## LOGISTICAL DATA (M-PACK)

Width	395mm	Height/diameter	130mm
Length	560mm	Weight	5400g
GTIN	7071236017981	Unit	EA
Consists of unit	EA	Quantity	25



## DISCLAIMER

We develop and design our products according in accordance with our strict quality requirements (ISO 9001) and environmental requirements (ISO 14001).

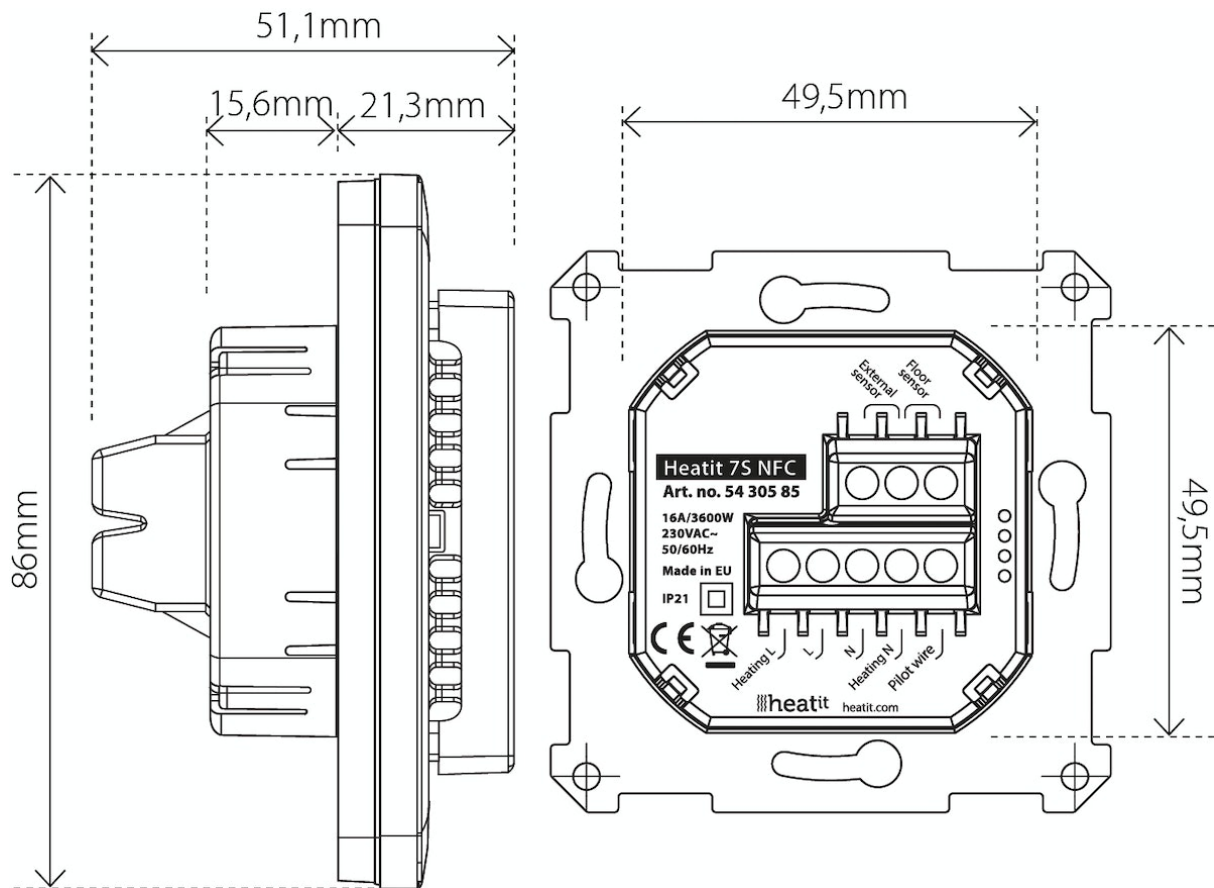
All electrical installations must be carried out by an authorized electrical installer. The product must be installed in accordance with our installers manual and national building codes. Any wrongful installation, misuse, damage of the product, is not covered under warranty.

Updated documentation is available at [www.heatit.com](http://www.heatit.com) and/or [documents.heatit.com](http://documents.heatit.com)

Heatit Controls AB can not be held liable for any type of errors or omissions in our product information.

Product specifications may change without further notice.

The device can withstand a load of max. 16A/3600W at 230VAC. We recommend a contactor for loads above 13A.



**Heatit 7S NFC White RAL 9003 can be ordered from  
[www.heatit.com/5430585](http://www.heatit.com/5430585)**

All additional documentation are available on the above adress and on [documents.heatit.com/5430585](http://documents.heatit.com/5430585)

