

HEATIT Z-TEMP2

Firmware 1.2

01.12.2020

Ver 2020-B

Installers manual

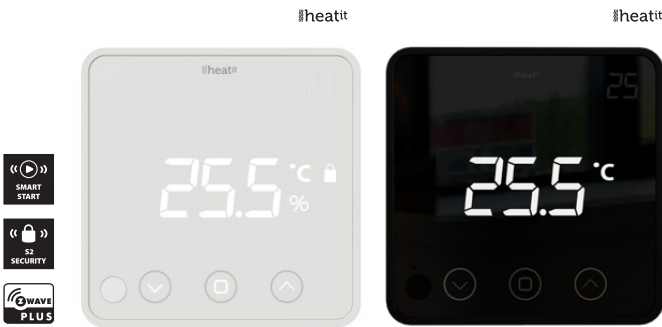


TABLE OF CONTENTS

1. Introduction
2. Statement regarding products from multiple manufacturers
3. Behavior within the Z-Wave™ network
4. Quick Start
5. Installation
6. Add/Remove
 - 6.1. Method 1 Standard (manual)
 - 6.2. Method 2 SmartStart (automatic)
7. Factory Reset
8. Compatibility/ Principles for regulation
9. Information shown in display
10. Hysteresis (DIF)
11. Child lock - Lock
12. Inverted output
13. Standby and main screen
14. Z-Wave QR-Code / DSK
15. Security
16. Node Information Frame
17. Associations
18. Configuration parameters
19. Operating the device
20. Supported Command Classes

Product information

1. INTRODUCTION

Heatit Z-Temp2 is a battery-operated thermostat designed for use with water-based heating systems. Used in combination with the Heatit Z-Water regulator, you can control your heating system with a Z-Wave primary controller/gateway using Heatit Z-Water in combination with one or several Heatit Z-Temp2.

2. STATEMENT REGARDING PRODUCT FROM MULTIPLE MANUFACTURERS

Please read this before installation

This device may be used with all devices certified with the Z-Wave Plus™ certificate and should be compatible with such devices produced by other manufacturers. Every primary controller is different depending on the manufacturer, their target audience and intended use/application. Please review the functionalities implemented by the primary controller you intend to use with our Z-Wave Plus certified device to ensure that it provides the necessary controls to take full advantage of our product's capabilities.

3. BEHAVIOR WITHIN THE Z-WAVE NETWORK

This product can be used in any Z-Wave network with other Z-Wave certified devices from other manufacturers. All non-battery-operated nodes within the network will act as repeaters regardless of manufacturer to increase the reliability of the network. On delivery, the device does not belong to any Z-Wave network. The device needs to be added to an existing network to communicate with the devices of this network. You can also remove devices from a network. Both adding and removing processes are initiated by the primary controller of the Z-Wave network.

This controller will enter a mode for adding or removing devices. Please refer to your primary controller/gateway manual on how to set your controller to add or remove mode. The device can only be added or removed from the network if the primary controller is in add/remove mode. When the device is removed from the network, the device will revert to factory default settings.

4. QUICK START

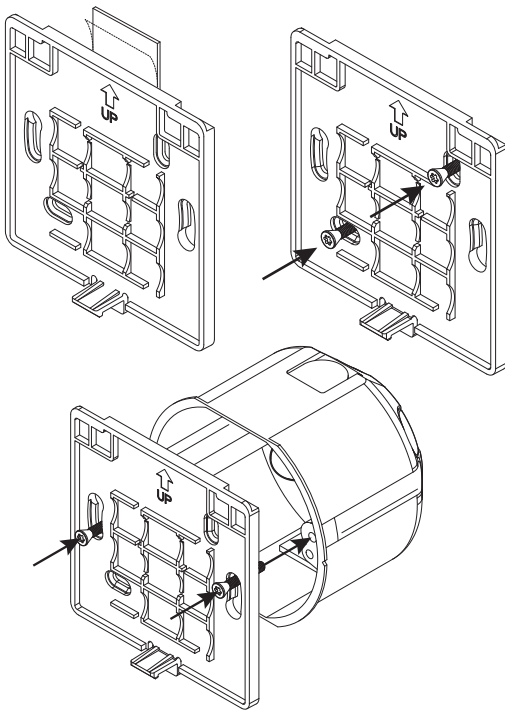
- 1.1. Install the batteries (as stated in the technical specification).
- 1.2. Install the device on a flat vertical surface using screws or double-sided tape
- 1.3. Set the controller/gateway in add mode (security/non-security).
- 1.4. Press the link button 3 times in a rapid sequence.
- 1.5. The thermostat will display "INC" when the thermostat is successfully included.

NB! If adding/removing fails, Err (error) will appear.

5. INSTALLATION

Use a large flathead screwdriver to remove the back cover. Fix the unit to the wall with double-sided tape, screws or installed on top of a Euro wall box. Make sure the mounting surface is clean and dry. Then install 3x AA batteries (alkaline) in the device's battery holder.

NB! Be careful when installing batteries, ensuring the polarity of the batteries are in accordance with the printing in plastic.



6. ADD/REMOVE

There are two ways to add your devices in a Z-Wave network.

6.1 Method 1: standard (manual)

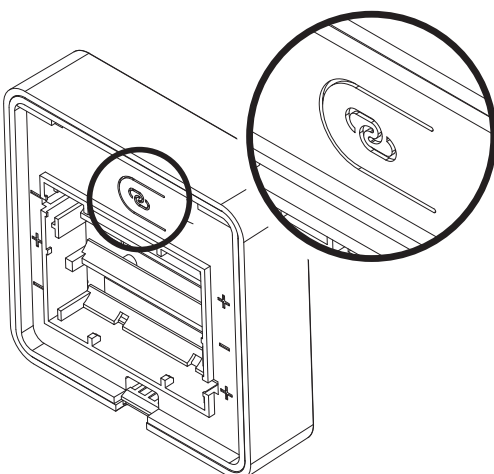
Please refer to your primary controller/gateway manual on how to enter add/remove mode. The device can only be added or removed from the network if the primary controller is in add/remove mode. When the primary controller/gateway is set to add/remove mode, press the link button on the thermostat three times in a rapid sequence.

6.2 Method 2: SmartStart (automatic)

Please refer to your primary controller/gateway to see if the controller supports SmartStart. SmartStart enabled products can be added into a Z-Wave network by scanning the Z-Wave QR-Code present on the product with a controller providing SmartStart inclusion. No further action is required, and the SmartStart product will be added automatically within 10 minutes of being switched on in the network vicinity.

Enter SmartStart modus from your primary controller. With the batteries for the devices removed from the device, scan the QR-code on the back of the device, then follow the gateway instructions.

If the device already belongs to a network, follow the removing process before adding it to your network. Otherwise, adding this



device will fail. When the device is removed from the network, the device will revert to factory settings.

7. FACTORY RESET

By pressing and holding the link button for 20 seconds, the thermostat will perform a complete factory reset. rES will be displayed. **NB!** Please use this procedure only when the primary controller/gateway is missing or otherwise inoperable.

8. COMPABILITY / PRINCIPLES FOR REGULATION

Water-based heating

The thermostat uses temperature readings retrieved from the internal sensor. Heatit Z-Temp2 is designed to work in combination with water-based heating solutions. Heatit recommends using Heatit Z-Temp2 in combination with Heatit Z-Water. These two products allow for an advanced water-based heating solution by using a Z-Wave enabled controller. This is a “wire-free” solution that saves both time and money. All the communication between Heatit Z-Temp2 and the controlled device is wireless. The range can be extended using Heatit Z-Repeater or any other device that supports routing. This makes our water-based solutions an excellent addition to your existing or new home automation system.

Electrical heating

Heatit Z-Temp2 could also be used in situations where a traditional electrical thermostat is not suited. The battery-operated thermostat can be used in combination with Heatit Z-Relay or any other relay device installed in a remote location. Rehabilitation could be done using this solution to avoid unnecessary wiring.

9. INFORMATION SHOWN IN DISPLAY

The thermostat benefits from two screens.

The main screen

The main screen displays measured temperature readout or relative humidity. You can switch between the humidity and measured temperature by pressing the center button while the display is active. The temperature and humidity can be calibrated using parameter 4 and 5, respectively. When the child lock is active, a lock icon will be displayed next to the Celsius icon.

Secondary screen

This screen displays the setpoint temperature when the thermostat is in heating mode. When the thermostat mode is turned OFF, the thermostat will not use this display. To turn the thermostat ON or OFF, you need to hold the center button for 10 seconds or use the Z-Wave command Basic or Thermostat mode.

Connecting to an external relay

After the device is added to your Z-Wave gateway, you will need to link the thermostat to the device that will control the heating. This is done by using association groups from the thermostat’s root device (EPO) with Group 3 (ON/OFF Control) towards your actuator device (using Multichannel or Single channel, based on the controlled device type).

*To set associations in your primary controller/gateway, please refer to your primary controller/Z-Wave gateway for more information.

10. HYSTERESIS (DIF)

You can make changes to the hysteresis in the thermostat via the parameter. This means that you can change the hysteresis from 0.3°C up to max 3.0°C. Default is 0.5°C.

11. CHILD LOCK - LOC

By pressing Left and Right (down and up buttons for 10 seconds, the thermostat will display LOC. Child lock is now activated, and the lock icon will be lit up when the display is active. Trying to make changes from the display is not possible within this modus. Changes with the Z-Wave controller are still possible. Refer to your primary controller/gateways user manual on how to change the setpoint.

Child lock is deactivated by pressing Left and Right (down and up) buttons for 10 seconds, the thermostat will display oPn. The lock symbol is no longer lit when the display is active, and now you can make changes using buttons.

12. INVERTED OUTPUT

The thermostat can invert its signal sent to external relays. This allows users to use the Heatit Z-TEMP2 in combination with other systems. You can change this behaviour using a quick feature in the thermostat or, using Parameter 15 "Inverted Output".

Changing the behaviour,

- From physical device by holding centre and right button for 10 sec.
- From gateway by changing parameter 15 (for more information regarding the configuration parameter, see chapter "Configuration Parameters").

The thermostat will display "HEA" for regular operation, and "COO" for inverted operation. You can check what mode you are using by holding centre button for 10 seconds.

13. STANDBY AND MAIN SCREEN

When the thermostat remains untouched for a while, it will automatically go to standby screen. Due to power saving settings, while in standby, the display will be turned off. The proximity sensor will activate the thermostat when proximity is sensed. You can also activate the thermostat manually by pressing any button.

14. Z-WAVE QR-CODE / DSK

The QR Code is needed when including using S2-Security or SmartStart. The Z-Wave DSK can be found in the QR-Code and is located;

6. On the back of wall mount (above the battery compartment).
7. Inside the packaging attached on the note.
8. On the product packaging.

15. SECURITY

The S2 security enhances Z-Wave Plus with an additional layer of AES 128-bit encryption of the wireless Z-Wave communication to prevent hacking and man-in-middle attacks on the home network. The Heatit Z-Temp2 supports S2 and has a Z-Wave DSK QR-Code label that may be used when the module is added to the Z-Wave home network. The primary controller will ask for a 5-digit Code, which can be found underneath the QR-Code. The primary controller will then ask you to confirm the rest of the code that is contained in the QR-Code.

16. NODE INFORMATION FRAME

The node information frame is the business card of a Z-Wave device. It contains information about the device type and its technical features. The add and remove procedure of the device is confirmed by sending out a node information frame. Besides this, it may be necessary for certain network operations to send out a node information frame.

17. ASSOCIATIONS

Z-Wave devices interact with other Z-Wave devices. The relationship between one device controlling another device is called an association. In order to control a subordinate device, the controlling device needs to maintain a list of devices that will receive controlling commands. These lists are called "Association Groups". They are always related to the specific event triggered (e.g., sensor reports). In case the event is triggered, all devices stored in the respective association group will receive a joint wireless command.

SETTING AND REMOVING ASSOCIATIONS

Associations may be assigned and removed via Z-Wave commands. Please refer to your primary controller/Z-Wave gateway for more information.

ASSOCIATION GROUPS

ROOT DEVICE	THE MAIN THERMOSTAT DEVICE
Group 1 Lifeline	Lifeline. (Normally used by the Z-Wave Controller) Sends: - Battery Report (sent when battery runs low). - Notification Report (sent first time power on). - Device Reset Locally Notification (sent if device is reset). - Indicator Report - Thermostat Mode Report (sent when mode changed from panel). - Thermostat Setpoint Report (sent when setpoint changed from panel). - Thermostat Operating State Report (sent when heating should be active). - Heating - when external relay is turned ON, in Standard Output - Cooling - when external relay is turned ON, in Inverted Output.
Group 2 Temperature Report	- Sensor Multilevel Report (periodical reports). - Protection Report (child lock activated/deactivated from panel). Max. nodes in group: 5
Group 3 ON/OFF Control	Multilevel Sensor Report (internal measured temperature and measured relative humidity). Max. nodes in group: 5 Binary Switch Set (normally used to control external relays). Sends: 0x00 = OFF 0xFF = ON Max. nodes in group: 5

18. CONFIGURATION PARAMETERS

Z-Wave products are supposed to work out of the box after inclusion. Some configuration of a device can alter the functionality to better serve the user's needs or unlock further enhanced features. All the parameters below do not feature altering capabilities, advanced or read only flag.

NO #	PARA SIZE (BYTE)	NAME	SHORT DESCRIPTION / COMMENT	MIN	MAX	DEFAULT	DESCRIPTION OF VALUE
1	2	Temperature/ Humidity report interval	Used to adjust the time between report interval for Temperature and humidity reports.	30	32767	900	30 to 32 767 seconds
2	2	Temperature delta value		0		10, (1.0°C)	Reporting temperature based on change is disabled 0.5 to 5°C
3	2	Humidity delta value		0		10, (1.0°C)	Reporting humidity based on change is disabled 5 to 50%.
4	2	Temperature offset settings	Calibrates the internal sensor. NB! To set negative values; 65 535 - desired value + 1.	-100	100	0.0°C	-100 to 100°C
5	2	Humidity offset settings	Offsets the measured relative humidity. NB! To set negative values; 65 535 - desired value + 1.	-100	100	0.0%	-10-10%
6	2	Proximity sensor retrigger interval		2	270	10 (10 sec)	2 to 270 seconds
7	2	Proximity sensor Enabled / Disabled	Choose if proximity sensor is used or not.	0		Enable	Disable
8	2	LED maximum brightness	Adjust the backlight of LCD display.	0	99	50 (50%)	0-99%
9	2	LED turned on before timeout	Adjust the time from proximity sensor / display touched until display goes to sleep.	3	300	3	3 to 300 seconds
10	2	Temperature Control Hysteresis	Adjust the delta values for the thermostat to turn on off heating.	3	30	5 (0.5°C)	0.3 to 3°C
11	2	Minimum Temperature Limit	Set the minimum temperature limit	50	400	50 (5°C)	5 to 40°C
12	2	Maximum Temperature Limit	Set the maximum temperature limit	50	400	400 (40°C)	5 to 40°C
13	2	External Relay & Operating State update interval	Set time of how often the devices send Binary Switch Set and thermostat mode to gateway.	0		Sends only when changed	Sends only when changed
				1	240		1 to 240 minutes + When changed

NO #	PARA SIZE (BYTE)	NAME	SHORT DESCRIPTION / COMMENT	MIN	MAX	DEFAULT	DESCRIPTION OF VALUE
14	2	Report when presence is detected	Decides if the thermostat sends temperature when presence is detected.	0		Do not report to gateway when presence is detected, only at interval.	Do not report to gateway when presence is detected, only at interval.
				1		Do not report to gateway when presence is detected, only at interval.	
15	2	Inverted output	Decides if the relay output should be inverted.	0		Disabled	Enabled
				1			Disabled

19. OPERATING THE DEVICE

No Multi Channel support/ Multichannel support:

Besides the mandatory command classes, Heatit Z-Temp2 has support for following command classes:

Thermostat Mode

It is possible to change the operating mode of the thermostat by sending a Thermostat Mode Set command.

Uses the following values;

0x00 = OFF (Thermostat regulation is deactivated)

0x01 = Heating Mode (Thermostat regulation is active)

Thermostat Setpoint Command Class

When a Thermostat Setpoint Set command is received by the root device, it sets the actual setpoint for heating mode.

Basic Command Class

A Basic Set to the root endpoint will change the thermostat mode.

Uses the following values;

0x00 = OFF (Thermostat regulation is deactivated)

0x01 = Heating Mode (Thermostat regulation is active)

Multilevel Sensor Report

The device sends Multilevel Sensor Reports to indicate measured temperature and relative humidity. The device will send a humidity and temperature report when powered on after a power loss.

USECASE	SENSOR TYPE	SIZE	SCALE	PRECISION
Sends temperature report from internal sensor	Temperature(version 1) = 0x01	2Byte = 0x02	Celsius (°C) = 0x00	1 decimal = 0x01
Sends relative humidity report from internal sensor	Relative humidity (version 2) = 0x05	2Byte = 0x02	Percentage value (%) = 0x00	1 decimal = 0x01

Notification Command Class

When the device is turned back on after a power outage (inserted fresh batteries), the device sends a notification command to indicate that the device is back in idle state. The Device will also send a humidity report and temperature report when powered back on.

EVENT	TYPE	EVENT	LENGTH
Power On (0xFF)	Power managment (0x08)	Power has been applied (0x01)	0x00

1. SUPPORTED COMMAND CLASSES

The following table lists all Command Classes supported by the Z-Wave Device. The device supports both S0, S2 Authenticated security and S2 Unauthenticated security.

	INSECURE INCLUSION	INSECURE ON SECURE INCLUSION	SECURE ON SECURE INCLUSION
COMMAND_CLASS_ZWAVEPLUS_INFO_V2	Yes	Yes	Yes
COMMAND_CLASS_ASSOCIATION_V2	Yes		Yes
COMMAND_CLASS_MULTI_CHANNEL_ASSOCIATION_V2	Yes		Yes
COMMAND_CLASS_ASSOCIATION_GRP_INFO_V3	Yes		Yes
COMMAND_CLASS_TRANSPORT_SERVICE_V2	Yes	Yes	
COMMAND_CLASS_VERSION_V3	Yes		Yes
COMMAND_CLASS_MANUFACTURER_SPECIFIC_V2	Yes		Yes
COMMAND_CLASS_DEVICE_RESET_LOCALLY_V1	Yes		Yes
COMMAND_CLASS_INDICATOR_V3	Yes		Yes
COMMAND_CLASS_POWERLEVEL_V1	Yes		Yes
COMMAND_CLASS_BATTERY_V1	Yes		Yes
COMMAND_CLASS_SECURITY_V1	Yes	Yes	
COMMAND_CLASS_SECURITY_2_V1	Yes	Yes	
COMMAND_CLASS_NOTIFICATION_V8	Yes		Yes
COMMAND_CLASS_SUPERVISION_V1	Yes	Yes	
COMMAND_CLASS_FIRMWARE_UPDATE_MD_V5	Yes		Yes
COMMAND_CLASS_THERMOSTAT_MODE_V3	Yes		Yes
COMMAND_CLASS_THERMOSTAT_SETPOINT_V3	Yes		Yes
COMMAND_CLASS_THERMOSTAT_OPERATING_STATE_V1	Yes		Yes
COMMAND_CLASS_PROTECTION_V1	Yes		Yes
COMMAND_CLASS_CONFIGURATION_V4	Yes		Yes
COMMAND_CLASS_SENSOR_MULTILEVEL_V5	Yes		Yes
COMMAND_CLASS_APPLICATION_STATUS_V1	Yes	Yes	Yes

PRODUCT INFO Heatit Z-Temp2

FEATURES

- Z-Wave thermostat for controlling external relays
- Internal room sensor
- Humidity sensor
- Proximity sensor to turn on the display
- SmartStart
- Automatic brightness control
- Firmware updates (OTA)
- Weekly program/setback via gateway
- 5 associations
- Lock mode/child lock
- Supports encryption modes S0, S2 Authenticated Class, S2 Unauthenticated Class

This product is a security-enabled Z-Wave Plus product with encryption. The product must be used with a security-enabled Z-Wave Controller in order to fully utilize the product.

TECHNICAL DATA

Protocol	Z-Wave
Chip	Z-Wave 700 chip
Rated voltage	3 x AA batteries (1,5V)
Ambient temperature	5°C to 40°C
Humidity	Max. 85% RH
Range RF	Min. 40 meters
Hysteresis	0.3°C to 3.0°C (default 0.5°C)
IP Code	IP 21

Approvals Z-Wave Plus V2, CE, RED 2014/53/EU, ETSI EN 301 489-1 V2.2.3 (2019-11), ETSI EN 301 489-3 V2.1.1 (2019-03), ETSI EN 300 220-1 V3.1.1 (2017-02), ETSI EN 300 220-2 V3.2.1 (2018-06), EN 62479:2010, EN 62368-1:2014+A11:2017, RoHS 2011/65/EU

MAINTENANCE

The device is maintenance-free, but must never be covered.

ART.NO.	PRODUCT	COLOR	FREQUENCY
45 126 66	Heatit Z-Temp2 thermostat Battery	White RAL 9003	EU 868.4MHz
45 126 67	Heatit Z-Temp2 thermostat Battery	Black RAL 9011	EU 868.4MHz
99 306 10	Heatit Z-Temp2 thermostat Battery	White RAL 9003	RU 869.0MHz
99 306 68	Heatit Z-Temp2 thermostat Battery	White RAL 9003	AUS 921.4MHz

Heatit Controls AB can not be held liable for typographical errors, other errors or omissions in our information. Product specifications may change without further notice.

All electrical installations must be carried out by a licensed electrician. The product must be installed in accordance with national building codes and our installers manual.