



## HEATIT TRANSFORMER

Transformer 230VAC -> 12VDC - 5VDC - 3.3VDC

**Art.no** 4512648

**GTIN** 7071236017479

Heatit Transformer is an in-wall transformer that fits European electrical wall boxes. It enables the user to connect low voltage devices to mains power and change the voltage from 230VAC to either 12VDC, 5VDC or 3.3VDC.

Paired with Heatit battery adapters, Heatit Transformer can make your battery-powered devices run on mains power. Any battery-powered devices with a power draw of up to 450mA at 12VDC or 420mA at 5VDC and 3.3VDC can be connected to the transformer.

### PRODUCT FEATURES

Adjust voltage from 230VAC to 12VDC, 5VDC or 3.3VDC  
 Compact size - fits easily in European electrical wall box  
 Easy to install

### MAINTENANCE

The device is maintenance-free. Indoor use only.

### ADDITIONAL INFORMATION

Terminals: 12VDC Max 450mA  
 5VDC Max 420mA  
 3.3VDC Max 420mA

NB! Max tightening torque for terminal screws: 2Nm.

### PRODUCT INFO RETURN AND RECYCLING

The product must be recycled as electronic waste.

### ELECTRO TECHNICAL DATA

Voltage	230V 50Hz
Ambient temperature range in use	5 til 40°C
Min. and max ambient humidity (RH%)	10 til 85%
Connection type	Screw clamps
Connection terminals diameter	0.5 til 2.5mm <sup>2</sup>
Max tightening torque connections	2N·m
Protection grade (IP)	IP20
Declarations	CE declaration


**INSTALLATION AND STORAGE DATA**

Ambient temperature range in storage	-30 til 70°C	Assembly / mounting location	European Junction Box
--------------------------------------	--------------	------------------------------	-----------------------

**PRODUCT DIMENSIONS**

Product width	46mm	Product height	19mm
Product length	45mm	Product weight	40g

**LOGISTICAL DATA (F-PACK)**

Width	65mm	Height/diameter	35mm
Length	64mm	Weight	40g
GTIN	7071236017479	Unit	EA
Consists of unit	EA	Quantity	1

**LOGISTICAL DATA (M-PACK)**

Width	144mm	Height/diameter	76mm
Length	380mm	Weight	1230g
GTIN	-	Unit	BOX
Consists of unit	EA	Quantity	20

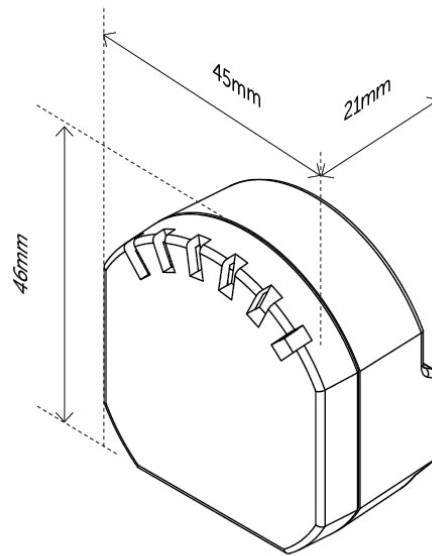
**LOGISTICAL DATA (D-PACK)**

Width	395mm	Height/diameter	303mm
Length	395mm	Weight	12810g
GTIN	-	Unit	BOX
Consists of unit	BOX	Quantity	200

**DISCLAIMER**

We develop and design our products according in accordance with our strict quality requirements (ISO 9001) and environmental requirements (ISO 14001).  
 All electrical installations must be carried out by an authorized electrical installer. The product must be installed in accordance with our installers manual and national building codes. Any wrongful installation, misuse, damage of the product, is not covered under warranty.

Updated documentation is available at [www.heatit.com](http://www.heatit.com) and/or [documents.heatit.com](http://documents.heatit.com)  
 Heatit Controls AB can not be held liable for any type of errors or omissions in our product information.  
 Product specifications may change without further notice.



**Heatit Transformer can be ordered from [www.heatit.com/4512648](http://www.heatit.com/4512648)**

All additional documentation are available on the above adress and on [documents.heatit.com/4512648](http://documents.heatit.com/4512648)

