



HEATIT Z-HAN2

Z-Wave sensor for power metering

Art.no 4512599

GTIN 7071236018230

Heatit Z-HAN2 is a Z-Wave HAN sensor for AMS meters (Smart meters). Heatit Z-HAN2 works with HAN ports.

The Heatit Z-HAN 2 is equipped with an RJ45 port for connecting the AMS meter. The Heatit Z-HAN2 can be powered through the RJ45 port by most AMS meters, but also has a 5V micro USB input for external power supply.

PRODUCT FEATURES

- Z-Wave HAN sensor
- RJ45 and Micro-USB
- Active power metering
- SmartStart
- Supports encryption mode S0, S2 Authenticated Class,
- Firmware Update (OTA)
- Temperature sensor
- S2 Unauthenticated Class

PRODUCT DATA

Colour	Black Olive RAL 6015
Min. and max ambient humidity (RH%)	10 to 85%
Ambient temperature range in use	5 to 40°C

STANDARDS

Certification	RoHS, Reach
EN Standards	Z-Wave Plus, CE
IP Code	IP20

WARRANTY

Warranty international	2 years
------------------------	---------

IOT / SMART HOME SPECIFIC DATA

Z-Wave Frequency	Z-Wave - 868.4 MHz (EU)
Z-Wave Chip	Z-Wave 800 chip
Min radio frequency range	40m
Over The Air update (OTA)	Yes
Z-Wave encryption mode	S2 Unauthenticated Class S0 AES-128 encryption S2 Authenticated Class

ELECTRO TECHNICAL DATA

Voltage	5V DC (Micro-USB)
---------	-------------------



PRODUCT DIMENSIONS

Product height/diameter	22mm	Product Width	31mm
Product length	80mm		

MAINTENANCE

The device is maintenance-free. Indoor use only.

ADDITIONAL INFORMATION

The product must be used with a security-enabled Z-Wave Controller in order to fully utilize security/encryption.

PRODUCT INFO RETURN AND RECYCLING

The product must be recycled as electronic waste.

DISCLAIMER

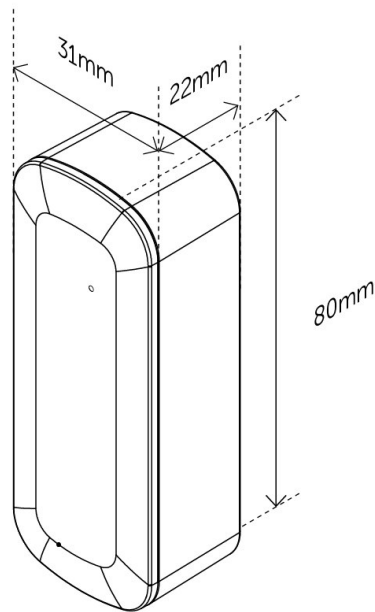
We develop and design our products according in accordance with our strict quality requirements (ISO 9001) and environmental requirements (ISO 14001).

All electrical installations must be carried out by an authorized electrical installer. The product must be installed in accordance with our installers manual and national building codes. Any wrongful installation, misuse, damage of the product, is not covered under warranty.

Updated documentation is available at www.heatit.com and/or documents.heatit.com

Heatit Controls AB can not be held liable for any type of errors or omissions in our product information.

Product specifications may change without further notice.



Heatit Z-HAN2 can be ordered from www.heatit.com/4512599

All additional documentation are available on the above adress and on documents.heatit.com/4512599

