**PLASTIC KIT FOR ROTARY DIMMERS BLACK MATT**

Plastic kit for retrofitting

**Art.no** 1444446**GTIN** 7071236016472

Plastic kit for Heatit Z-Dim2 and Heatit Zig Dim.  
For retrofitting.  
Black matt.

Does not fit Heatit eezedim (14 444 30) and Heatit eezedim 2P (14 444 31).

**PRODUCT FEATURES**

- Plastic kit for Heatit Z-Dim2 and Heatit Zig Dim.

**PRODUCT DATA**

Colour Black

**WARRANTY**

Warranty international 2 years

**PRODUCT DIMENSIONS**

Product height/diameter	90mm	Product Width	90mm
Product length	20mm	Product net weight	85g

**MAINTENANCE**

The device is maintenance-free. Indoor use only.

**DISCLAIMER**

Does not fit Heatit eezedim (14 444 30) and Heatit eezedim 2P (14 444 31).

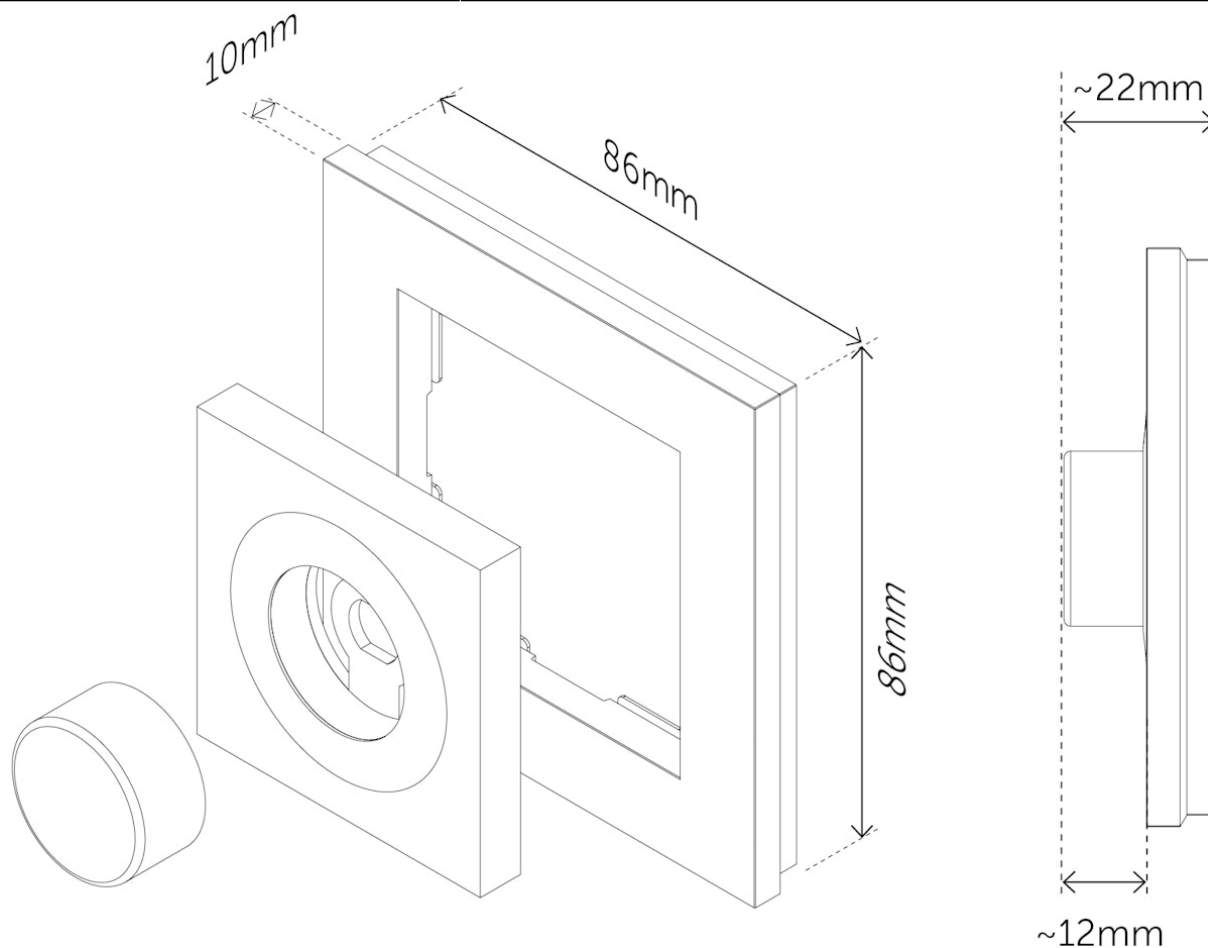
We develop and design our products according in accordance with our strict quality requirements (ISO 9001) and environmental requirements (ISO 14001).

All electrical installations must be carried out by an authorized electrical installer. The product must be installed in accordance with our installers manual and national building codes. Any wrongful installation, misuse, damage of the product, is not covered under warranty.

Updated documentation is available at [www.heatit.com](http://www.heatit.com) and/or [documents.heatit.com](http://documents.heatit.com)

Heatit Controls AB can not be held liable for any type of errors or omissions in our product information.

Product specifications may change without further notice.



**Plastic Kit for Rotary Dimmers Black matt can be ordered from [www.heatit.com/1444446](http://www.heatit.com/1444446)**

All additional documentation are available on the above adress and on [documents.heatit.com/1444446](http://documents.heatit.com/1444446)

